



### PISTOL GRIP ADAPTER

- For use with 1.5", 1.75" or 2" handline nozzles
- Elk-O-Lite® construction with hard anodized finish
- PG-S (1" free swivel inlet and waterway with 1" male outlet)
- PG (1.5" free swivel inlet and waterway with 1.5" female outlet)



### PIEZOMETER GAUGE

- Liquid-filled 0-300 psi gauge
- Elk-O-Lite® construction with hard anodized finish
- 227A – 1.5" (1.5" swivel inlet, 1.5" outlet, and 4.8" length)
- 227A – 2.5" (2.5" swivel inlet, 2.5" outlet, and 5.5" length)
- 227A – 3.5" (3.5" swivel inlet, 3.5" outlet, and 6.9" length)



### LINE GAUGE

- Fully guarded, liquid-filled luminescent gauge
- Hard anodized Elk-O-Lite® body
- 228A – 1.5" 0-200 gauge with 1.5" free swivel inlet, 1.5" outlet, and 6" length
- 228A – 2.5" 0-200 gauge with 2.5" free swivel inlet, 2.5" outlet, color-coded zones, and 6.9" length



### 632 HOSE AND LADDER STRAP

- Flexible woven nylon with brass ends
- Fits ladder rungs up to 1 1/2"
- Strap width 1"
- Length: 42"
- Less than 2 lbs.



### EB-500 PORTABLE FLOWMETER

- Digital 0-500 gpm read-out display
- Flowmeter and flowtube-mounted paddlewheel flow sensor
- Low and high flow warnings
- Weather-tight PVC Pelican case includes: flowmeter, power switch, low battery indicator, rechargeable battery, AC charger/power supply, cable connections and cord storage space
- Weight: 17 lbs.
- Finish is hard anodized
- 2.5" flow tube (NST threads)



### 285 HOSE CLAMP

- For use with 1.5" – 3" hose, including double jacket 3"
- Unique jaw design allows for safer release of clamped hose
- Spring-loaded safety lock for closed position
- Detachable carrying handle
- ZA-27 aluminum construction
- Weight: 19 lbs.
- Length: 15"
- 285-MB – optional Elk-O-Lite® mounting bracket can be positioned vertically or horizontally



### DIRECT CONNECT ADAPTER

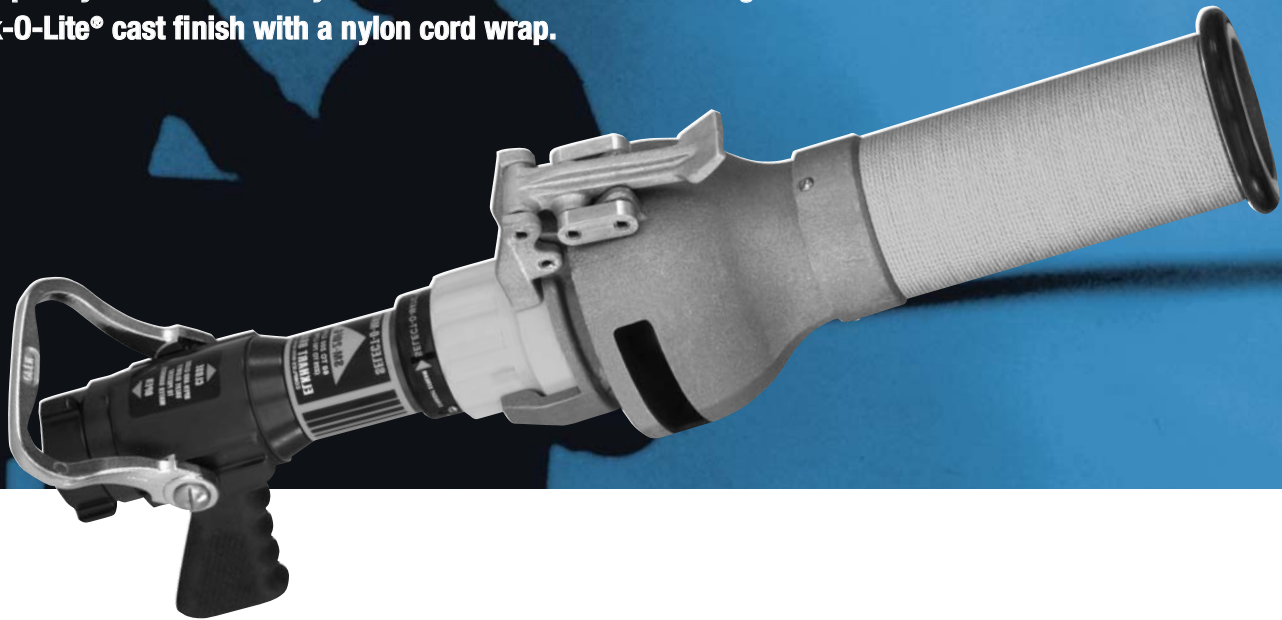
- 2.5" inlet
- 1.5" outlet
- Rigid base
- D-327 (Brass construction)
- D-327A (Elk-O-Lite® construction)



## FOAM EXPANSION TUBES

# Foam Expansion Tubes

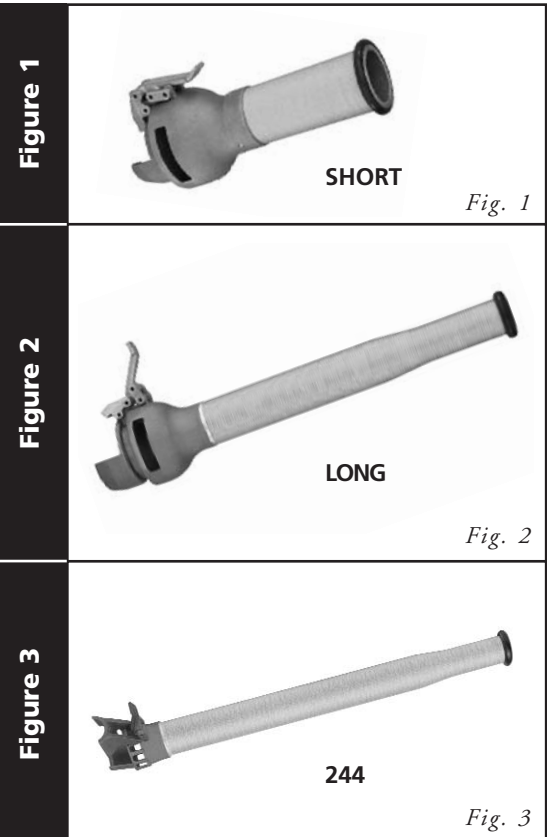
When greater expansion rates of foam solution are needed, a foam aeration tube can be quickly attached to many of Elkhart Brass combination fog nozzles. All tubes are Elk-O-Lite® cast finish with a nylon cord wrap.



2-2

## TUBE CONFIGURATIONS

Compatible Nozzle Model	FOAM EXPANSION TUBE MODELS				
	246S	247S	244	246	247
SM-10F/G	•			•	
TSM-10F	•			•	
SM-20F/G	•			•	
TSM-20F	•			•	
4000-10 thru 4000-19	•			•	
4000-20 thru 4000-26		•			•
4000-31/34/35		•			•
SFL-B/G	•			•	
SFL-G/CGC/GN/N			•		
SFM/G	•			•	
TSFM	•			•	
DSM-30F/G		•			•
SM-30F/G		•			•
TSM-30F		•			•
SFM-HP/G	•			•	
TSFM-HP/T	•			•	
SFM-LP/G	•			•	
TSFM-LP/T	•			•	
Foam Expansion Tube Details					
Length	15.87"	15.87"	40.50"	30.25"	30.25"
Weight (Lbs.)	3.80	3.80	4.50	4.75	4.75
Built-In Hydroverter	•	•			
Figure	1	1	3	2	2





### 71251000 – SEAT WRENCH

- For seat adjustment and/or removal
- 1" or 1.5" nozzle/ball shut-off
- 1" waterway compatible



### 71252000 – SEAT WRENCH

- For seat adjustment and/or removal
- 1.75", 2" or 2.5" nozzle/ball shut-off
- 1.375" waterway compatible



### SEAT WRENCH

- Specially designed to be used for seat removal/installation on 9786 or 9787 PIV
- 4.5" outlet compatible (01501001)
- 5" or 6" outlet compatible (01502001)



### 80642001 – WYE SEAT WRENCH

- For seat adjustment and/or removal on 1.5" ball valved wyes
- Hex end fits old style B-100, B-100L and BG-104
- Blade end fits old style B-100A, B-100-LA and BG-104A



### 80269001 – STEM WEB WRENCH

- Designed to hold the stem web (base) while removing and/or installing Master Stream heads
- Slotted end fits Select-O-Stream®, Select-O-Flow®, and Mystery® stem bases



### 80313001 – STEM WEB WRENCH

- Designed to hold stem web (base) while removing and/or installing handline nozzle stem heads
- Slotted end fits most of Elkhart's handline nozzle bases (except Select-O-Matics®)



### 71258000 – OPEN FACE 2" SPANNER WRENCH

- Seat adjustments and/or removal on 800 series and 2800 series apparatus valves
- Seat adjustments and/or removal on Elkhart's wyes, Siamese and water thieves (2.5 seat only)
- Removal and/or installation of stem heads on all Select-O-Matic® handline nozzles



### 80291001 – STEM HEAD WRENCH

- Designed to assist in removing and/or installing slotted stem heads
- Blade end fits slotted handline nozzle stems (except Select-O-Matics®)

### 71303001 – OPEN FACE 4" SPANNER WRENCH

- Removal and/or installation of stem heads on Master Stream nozzles (except X-Stream® series)
- Larger version of P/N 71258000

### 603 – TOOL KIT

- Seat wrenches (71251000 and 71252000)
- Open faced spanner wrench (71258000)
- Stem head wrenches (80291001 and 80313001)
- Wye seat wrench (80642001)



## WRENCHES



### F-464 – FOLDING SPANNER

- One end is a spanner, the other is a window jimmy
- Fits up to a 3.5" rocker/lug pin coupling
- Clip ring
- Length: 10.4" (open) or 5.9" (folded)
- F-464A – Elk-O-Lite® construction (weight: 0.4 lbs.)
- F-464B – Brass construction (weight: 1.1 lbs.)



### T-464 – UNIVERSAL SPANNER

- Hammer head, window jimmy, gas cock slot, and hanger loop
- Fits up to a 3.5" rocker/lug pin coupling
- Elk-O-Lite® construction
- Length: 11.5"
- Weight: 0.5 lbs.



### 454 – ADJUSTABLE HYDRANT WRENCH

- Cast manganese bronze head with stainless steel handle
- Adjustable – fits up to 1.75" pentagon nut or 1.5" square nut
- Can be used as a spanner on 2.5" pin lug couplings
- Knurled handle
- Length: 18.0"
- Weight: 3.8 lbs.



### S-454 – ADJUSTABLE HYDRANT WRENCH

- Cast manganese bronze head with stainless steel handle
- Adjustable – fits up to 1.75" pentagon nut or 1.5" square nut
- Can be used as a spanner on 2.5" pin lug couplings or rocker lug couplings from 2.5" to 5.0"
- Knurled handle
- Length: 16.8"
- Weight: 4.6 lbs.



### S-454-S – ADJUSTABLE HYDRANT WRENCH

- Cast manganese bronze head with stainless steel handle
- Adjustable – fits up to 1.75" pentagon nut or 1.5" square nut
- Can be used as a spanner on 4.0" or 5.0" Storz couplings or rocker lug couplings from 2.5" to 5.0"
- Knurled handle
- Length: 17.3"
- Weight: 4.9 lbs.



### 469 – SPANNER WRENCH HOLDER

- Mounts vertically or horizontally on apparatus
- Holds two T-464 universal spanners
- Snap action release
- Elk-O-Lite® construction
- Length: 7.4"
- Weight: 1 lbs.
- Optional with wrenches



### 470 – HYDRANT AND SPANNER WRENCH HOLDER

- Mounts vertically or horizontally on apparatus
- Holds two T-464 universal spanners plus one hydrant wrench (454, S-454, or S-454-S)
- Snap action release
- Elk-O-Lite® construction
- Length: 10.0"
- Weight: 1.5 lbs.
- Optional with wrenches





INNOVATION FROM THE START

## Elkhart Brass History

- 1902 • Company founded by Albert E. Hansen
- 1920s • Offered first ball-type shut-off nozzle in the U.S.
- 1930s • Mystery® nozzle, America's first peripheral jet fog nozzle
  - Developed a line of truck-mount deck guns
- 1940s • Began making portable monitors
  - Added the integral ball shut-off to the Mystery® nozzle in the Select-O-Stream® line
- 1950 • Developed Select-O-Flow® nozzles, the industry's first constant flow, selectable gallonage nozzles
- 1970s • Introduced Select-O-Matic® automatic nozzles, the first nozzles to operate on the availability of water rather than on pressure (still the company's best selling product)
  - Opened an additional manufacturing site in Shreve, Ohio
- 1980s • Introduced Chief® nozzles — a lightweight, simplified version of the Select-O-Flow® line
  - Created a complete line of fireground appliances used with LDH
  - Developed Stinger® monitors — the first product with quick disconnect to move from truck mount to ground mount (prior to Stinger, two separate pieces of equipment were needed)
- 1990s • Developed a new generation of easier-to-operate Select-O-Matic® nozzles with more gallonage choices
  - Introduced X-Stream® SM-2000 Select-O-Matic® nozzle with gallonages from 500-2000 GPM
- 2000s • Changed the face of firefighting again with W.E.T.™ (Wireless Electronic Technology) that allows remote controlled operation of monitors from up to 1/4 mile away
  - Introduced Extender® which automatically raises Elkhart Brass compact monitors 18" above apparatus deck
  - Introduced the Vulcan® monitor, the industry's most compact, lightest master stream device with flows up to 1250 GPM
  - Developed low pressure handline nozzles, including break-apart options, all offering outstanding stream performance at 75 psi (and in some cases, 50 psi) in the Chief™, Phantom®, and Select-O-Matic® lines
  - Introduced R.A.M.® — Rapid Attack Monitor — for quick deployment and easy one-man operation
  - Put on the market the Unibody Valve line, featuring a cross-compatible apparatus ball valve and a butterfly valve with a robust, heavy-duty motor
  - Developed the Glow Bumper for handline nozzles to better enhance firefighter safety