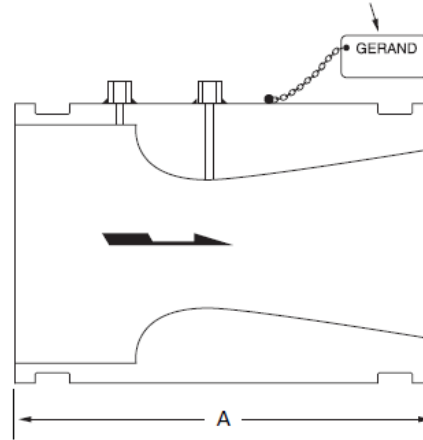


Flow Meters

- D** Volumenstrom-Meßgeräte
- F** Débitmètres



Metal identification tag/Metall-Identifikationsplatte/Plaque d'identification



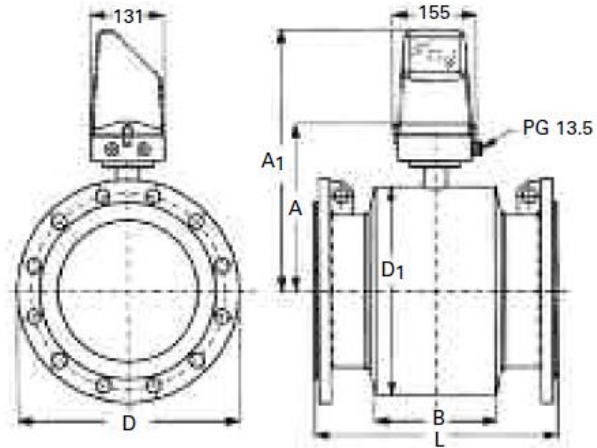
Model Venturi, butt weld, grooved ends/Anschweißenden, geriefte Enden/Raccordements rainurés ou soudés

Art. Nr.	Size Größe Dimensions		Pump Capacity Pumpen Kapazität Capacitée pompe. [GPM]	Flow Range Volumenstrom Plage de débit		Dim. A [mm]	Required straight pipe length [mm] Min. Beruhigungsstrecke Longueur section droite requise		Kg	FM	
	DN	mm		LPM	GPM		Before/Vorheri/Avant	After/Nachheri/Après			
K010000734	65	2.1/2"	73.0	100	189-757	50-200	101.6	365	146	4.0	✓
K015000894	80	3"	89.0	150	284-1135	75-300	111.1	445	178	8.0	✓
K020000894	80	3"	89.0	200	378-1514	100-400	111.1	445	178	8.0	✓
K025001144	100	4"	114.3	250	473-1892	125-500	95.3	570	228	8.0	✓
K030001144	100	4"	114.3	300	567-2271	150-600	95.3	570	228	8.0	✓
K045001144	100	4"	114.3	450	851-3406	225-900	95.3	570	228	8.0	✓
K050001414	125	5"	141.3	500	946-3785	250-1000	127.0	695	278	8.5	✓
K075001684	150	6"	168.3	750	1419-5677	375-1500	152.4	840	336	8.5	✓
K100001684	150	6"	168.3	1000	1892-7570	500-2000	152.4	840	336	8.5	✓
K125001684	150	6"	168.3	1250	2365-9462	625-2500	152.4	840	336	8.5	✓
K150002194	200	8"	219.1	1500	2838-11355	750-3000	177.8	1095	438	10.5	✓
K200002194	200	8"	219.1	2000	3785-15140	1000-4000	177.8	1095	438	10.5	✓
K250002194	200	8"	219.1	2500	4731-18925	1250-5000	177.8	1095	438	10.5	✓
K300002194	200	8"	219.1	3000	5677-22710	1500-6000	177.8	1095	438	10.5	✓
K350002734	250	10"	273.0	3500	6623-26495	1750-7000	203.2	1365	546	13.0	✓
K400002734	250	10"	273.0	4000	7570-30280	2000-8000	203.2	1365	546	13.0	✓
K450002734	250	10"	273.0	4500	8516-34065	2250-9000	203.2	1365	546	13.0	✓
K500003244	300	12"	323.9	5000	9462-37850	2500-10000	304.8	1620	648	18.0	✓

TYCENDEFRRP 0713 Tyco reserves the right to change the contents without notice

Flow Meters, Electromagnetic

- D** Volumenstrom-Meßgeräte
- F** Débitmètres Electromagnétiques



Model MAGFLO

Art. Nr.	DN	A	A1	B	D	D1	L	Flow Range Volumenstrom Plage de débit l/m	Flange/Flange Flanschanschluss Bride x Bride	Kg	UL	FM	CE	LPCB	VdS	
																mm
MAGFLO0768	65	2.1/2"	212	363	72	185	154	200	0 - 2000	PN16	12	✓	✓	✓	✓	✓
MAGFLO0898	80	3"	222	373	72	200	174	200	0 - 3000	PN16	12	✓	✓	✓	✓	✓
MAGFLO1148	100	4"	242	393	85	220	214	250	0 - 4667	PN16	16	✓	✓	✓	✓	✓
MAGFLO1398	125	5"	255	406	85	250	239	250	0 - 7333	PN16	19	✓	✓	✓	✓	✓
MAGFLO1688	150	6"	276	427	85	285	282	300	0 - 10600	PN16	27	✓	✓	✓	✓	✓
MAGFLO2197	200	8"	304	455	137	340	338	350	0 - 18833	PN10	40	✓	✓	✓	✓	✓
MAGFLO2737	250	10"	332	483	137	395	393	450	0 - 29333	PN10	55	✓	✓	✓	✓	✓

Required straight pipe length [mm] before: 5D/Min. Beruhigungsstrecke [mm] davor: 5D/Longueur section droite requise [mm] amont: 5D
 Required straight pipe length [mm] after: 3D/Min. Beruhigungsstrecke [mm] dahinter: 3D/Longueur section droite requise [mm] aval: 3D

Optional equipments/Optionen/Equipements supplémentaires

Art. Nr.	Description Umschreibung Description
MAGFLOBRAC	Wall Bracket/Mauerbefestigung/Support Mural Déporté
MAGFLOCABE	Extension Cable/Verlängerte Kabel/Câble d'Extension

TYCENDEFRRP 0713 Tyco reserves the right to change the contents without notice

Flow Meters

- D** Volumenstrom-Meßgeräte
- F** Débitmètres



TUBUX

Model Tubux

Art. Nr.	DN	PN [Bar]	Description Umschreibung Description	Tmax [°C]	kg	VDS
TL40001G	-	-	10 Measuring Device/Messgerät/Équipement de mesure	70	2.5	√
TLLM00897G	80	3"	10 Meter Valve Wafer for PN10/16/Messblende, PN 10/16/Vanne bride PN10/16	70	1.3	√
TLLM01147G	100	4"	10 Meter Valve Wafer for PN10/16/Messblende, PN 10/16/Vanne bride PN10/16	70	2.0	√
TLLM01687G	150	6"	10 Meter Valve Wafer for PN10/16/Messblende, PN 10/16/Vanne bride PN10/16	70	2.2	√
TLLM02197G	200	8"	10 Meter Valve Wafer for PN10/Messblende, PN 10/Vanne bride PN10	70	2.5	√
TLLM02737G	250	10"	10 Meter Valve Wafer for PN10/Messblende, PN 10/Vanne bride PN10	70	2.8	√

Model Tubux

Measuring Device Anzeige Élément de mesure %	Flow L/min./Durchflußmenge - l/min. wasser/Débit l/min					
	DN80	DN100	DN150	DN200	DN250	
100	2.100	3.000	6.000	12.000	18.000	
98	2.058	2.940	5.880	11.760	17.640	
96	2.016	2.880	5.760	11.520	17.280	
94	1.974	2.820	5.640	11.280	16.920	
92	1.932	2.760	5.520	11.040	16.560	
90	1.890	2.700	5.400	10.800	16.200	
88	1.848	2.640	5.280	10.560	15.840	
86	1.806	2.580	5.160	10.320	15.480	
84	1.764	2.520	5.040	10.080	15.120	
82	1.722	2.460	4.920	9.840	14.760	
80	1.680	2.400	4.800	9.600	14.400	
78	1.638	2.340	4.680	9.360	14.040	
76	1.596	2.280	4.560	9.120	13.680	
74	1.554	2.220	4.440	8.880	13.320	
72	1.512	2.160	4.320	8.640	12.960	
70	1.470	2.100	4.200	8.400	12.600	
68	1.428	2.040	4.080	8.160	12.240	
66	1.386	1.980	3.960	7.920	11.880	
64	1.344	1.920	3.840	7.680	11.520	
62	1.302	1.860	3.720	7.440	11.160	
60	1.260	1.800	3.600	7.200	10.800	
58	1.218	1.740	3.480	6.960	10.440	
56	1.176	1.680	3.360	6.720	10.080	
54	1.134	1.620	3.240	6.480	9.720	
52	1.092	1.560	3.120	6.240	9.360	
50	1.050	1.500	3.000	6.000	9.000	
48	1.008	1.440	2.880	5.760	8.640	
46	966	1.380	2.760	5.520	8.280	
44	924	1.320	2.640	5.280	7.920	
42	882	1.260	2.520	5.040	7.560	
40	840	1.200	2.400	4.800	7.200	
35	735	1.050	2.100	4.200	6.300	
30	630	900	1.800	3.600	5.400	
25	525	750	1.500	3.000	4.500	
20	420	600	1.200	2.400	3.600	

TYCENDEFRRP 0713 Tyco reserves the right to change the contents without notice

Flow Meters

- D** Volumenstrom-Meßgeräte
- F** Débitmètres



INFLUX

Model Influx								
Art. Nr.	DN	Type Ausführung Type	Flow Durchfluss Plage de débit	Straight Pipe before & after Beruhigungszone Davor & Dahinter Section droite Amont/Aval mm	F-F mm	FM	LPCB	
F3/1	50	2"	Wafer/Zwischenflansch/Entre-bridés	150-700 LPM	250	40	✓	
F3/2	80	3"	Wafer/Zwischenflansch/Entre-bridés	300-1600 LPM	400	40	✓	
F3/3	100	4"	Wafer/Zwischenflansch/Entre-bridés	500-3500 LPM	500	40	✓	
F3/4	150	6"	Wafer/Zwischenflansch/Entre-bridés	900-7900 LPM	750	40	✓	
F3/5	200	8"	Wafer/Zwischenflansch/Entre-bridés	2000-15000 LPM	1000	40	✓	
F3/6	50	2"	Grooved/Riefe/Rainuré	150-700 LPM	250	90	✓	
F3/7	80	3"	Grooved/Riefe/Rainuré	300-1600 LPM	400	90	✓	
F3/8	100	4"	Grooved/Riefe/Rainuré	500-3500 LPM	500	90	✓	
F3/9	150 [165.0mm]	6"	Grooved/Riefe/Rainuré	900-7900 LPM	750	90	✓	
F3/9 FM	150 [168.3mm]	6"	Grooved/Riefe/Rainuré	1000-7500LPM	750	90	✓	✓
F3/10	200	8"	Grooved/Riefe/Rainuré	2000-15000 LPM	1000	100	✓	✓

TYCENDEF RFP 0713 Tyco reserves the right to change the contents without notice