

## Pressure Relief Valves

➤ Druckentlastungsventile

➤ Soupapes de décharge



TFP1585

Body/Cover: Ductile Iron / Internal Enamel coating  
Körper/Deckel: Duktiler Guß  
Corps/Couvercle: Fonte ductile

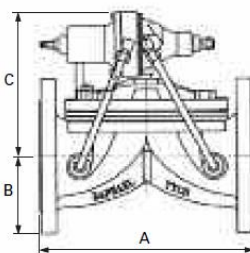
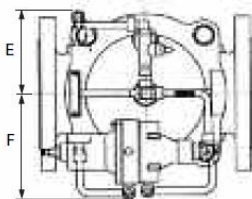
Diaphragm: Internal Enamel Coating  
Membrane: Internen Emaillierung  
Diaphragme: Email interne revêtement

Pilot: Natural Rubber/Nylon fabric  
Ansteuerung: Naturgummi / Nylongewebe  
Pilote: Caoutchouc naturel / Nylon

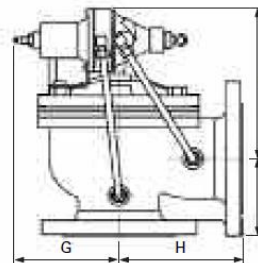
Pilot Trim: Cast Bronze  
Ansteuerungsverrohrung: Bronzeguss  
Trim Pilote: Bronze coulé

Tubing: Stainless Steel  
Verrohrung: Edelstahl  
Tubulures: Acier inox

Stainless Steel  
Messing  
Laiton



RV-1 GLOBE



RV-1 ANGLE

Model RV-1 GLOBE

Art. Nr.	DN	PN [Bar]	Pressure Adjustment Range Druck Einstellbereich Plage de pression réglable	Flanges Flansche Brides	A mm	B mm	C mm	E mm	F mm	Wt. Kg	UL	FM
525728010	50	2"	16	2-16 Bar	ANSI 125	190	80	210	120	165	10.5	✓ ✓
525728022	80	3"	16	2-16 Bar	ANSI 125	285	100	220	150	190	21.2	✓ ✓
525728023	100	4"	16	2-16 Bar	ANSI 125	305	115	240	165	195	29.1	✓ ✓
525728026	200	8"	16	2-16 Bar	ANSI 125	470	155	290	170	280	75.3	✓ ✓
525728130	50	2"	16	2-16 Bar	PN10/16	190	80	210	120	165	10.5	✓ ✓
525728112	80	3"	16	2-16 Bar	PN10/16	285	100	220	150	190	21.2	✓ ✓
525728113	100	4"	16	2-16 Bar	PN10/16	305	115	240	165	195	29.1	✓ ✓
525728115	150	6"	16	2-16 Bar	PN16	410	145	265	130	240	53.5	✓ ✓
525728126	200	8"	16	2-16 Bar	PN16	470	155	290	170	280	75.3	✓ ✓

RV-1 ANGLE

Art. Nr.	DN	PN [Bar]	Pressure Adjustment Range Druck Einstellbereich Plage de pression réglable	Flanges/Threads Flansche Brides / Taraudés	G mm	H mm	I mm	J mm	E mm	F mm	Wt. Kg	UL	FM
525738160	50	2"	16	2-16 Bar	BSP	140	85	80	215	150	155	7.6	✓ ✓
525738060	50	2"	16	2-16 Bar	NPT	140	85	80	215	150	155	7.6	✓ ✓
525738022	80	3"	16	2-16 Bar	ANSI 125	155	155	110	240	120	190	29.2	✓ ✓
525738023	100	4"	16	2-16 Bar	ANSI 125	155	165	115	270	140	200	30.0	✓ ✓
525738112	80	3"	16	2-16 Bar	PN10/16	155	155	110	240	120	190	29.2	✓ ✓
525738113	100	4"	16	2-16 Bar	PN10/16	155	165	115	270	140	200	30.0	✓ ✓
525738115	150	6"	16	2-16 Bar	PN16	115	200	150	295	155	240	53.5	✓ ✓
525738126	200	8"	16	2-16 Bar	PN16	150	220	170	310	215	285	76.2	✓ ✓

\* Other [unapproved] dimensions [1.1/2"-12" PN16] available on request

\* Andere Abmessungen [ohne Zulassungen] [1.1/2"-12" PN16] auf Anfrage

\* Autres Dimensions [non-agrées] [1.1/2"-12" PN16] sur demande

For vertical or horizontal installation/ Für vertikalen oder horizontalen Einbau/ Pour être montées verticalement ou horizontalement

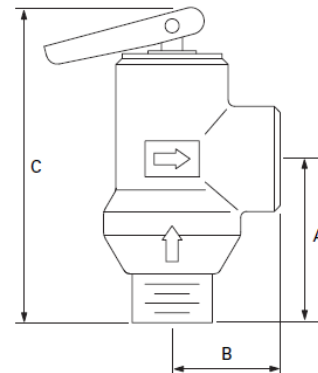
## Pressure Relief Valves, Threaded

- Druckentlastungsventile
- Soupapes de décharge



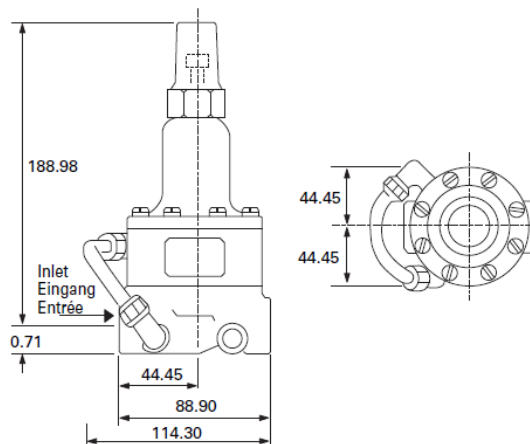
Body:  
Körper:  
Corps:

Bronze  
Bronze  
Bronze



Model 7000

Art. Nr.	DN	PN [Bar]	Pset [Bar]	A mm	B mm	C mm	kg	UL	FM
70000021	15 1/2"NPT	12.1	12.1	44.0	25.0	82.8	0.25	✓	✓



Model 55L

Art. Nr.	DN	PN [Bar]	$\Delta P$ [Bar]	Material Material Matériau principal	CV	F L/Min@12 Bar	kg	APSA	UL	FM
55L00210	15 1/2"NPT	27.6	1.4-14.0	Bronze	6	300	2.5	-	✓	✓
55FKX210	15 1/2"NPT	27.6	1.4-14.0	SS-303	6	300	2.5	✓	-	-
55F00270	20 3/4"NPT	27.6	1.4-14.0	Bronze	8.5	425	2.5	-	-	-
55L00270	20 3/4"NPT	27.6	1.4-14.0	Bronze	8.5	425	2.5	-	✓	✓
55FKX270	20 3/4"NPT	27.6	1.4-14.0	SS-303	8.5	425	2.5	✓	-	-